



INDICATIVE PHOTO

General features : SFM006G001

- Self-supporting casing in zinc-plated metal sheet, which is coated with epoxy powder and easily removable panels for fast access to components during inspection or maintenance operations
- Hermetic compressors with thermal motor protection
- Heat exchangers with copper and aluminium blocks
- Capillary expansion up to the model 54
- Condensation by air (optional by water)
- Automatic defrosting with programmable run, duration and frequency settings
- Electronic board that can be programmed according to different user requirements
- Control panel installed in a remote position
- Electronic control panel
- High pressure switch
- Remote control panel (5m)
- Door micro switch with 2,5m long cable
- Cold room light with 2,5m long cable
- Evaporating water tray
- Door heater cable for LBP items with 2,5m long cable
- Power supply cable (L=2,5m)
- Mounting set and overflow tube
- Package included



Indicative photo

Product file : Refrigerating systems

Code	SFM006G001
Type	Compact
Mounting	Ceiling
Range	SF
Version	-
Expansion	Capillary
Application	MBP
Gas	R452a
Net weight	63 kg
Ped	0
Defrost	Hot gas

Compressor

Type	Hermetic
Voltage	220-240/1/50
Displacement	12,12cm ³

Pipe fittings

Liquid diam.	-
Suction diam.	-

Absorptions

Power consumption	814 W
Current consumption	4,9 A

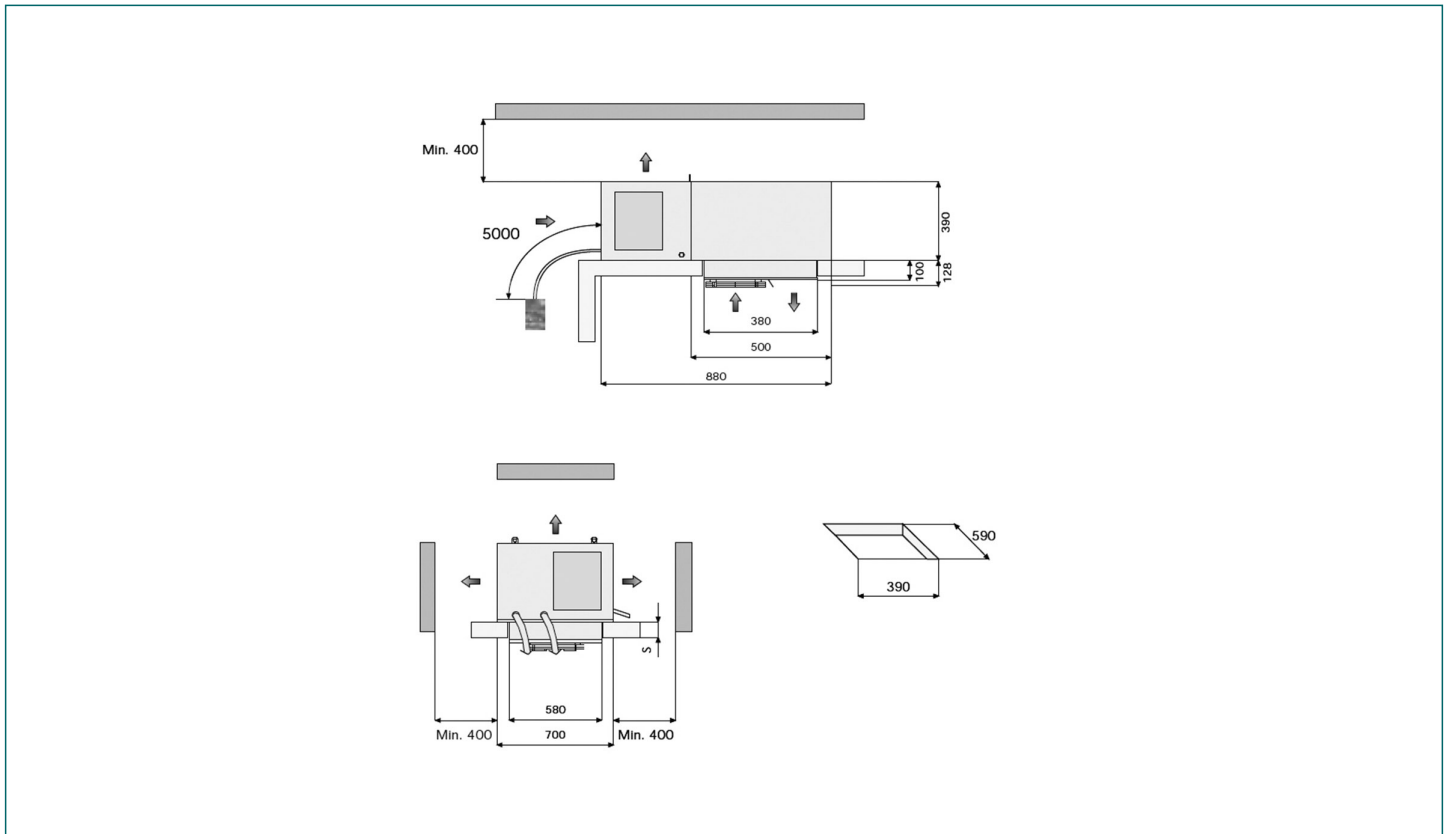
Condenser

Fans no.	1
Diameter	300 mm
Air flow	1053 m ³ /h

Unit cooler

Fans no.	1
Diameter	200 mm
Air flow	560 m ³ /h
Air throw	3 m

Technical drawing - SFM006G001



Refrigerating capacity table (watt) - Gas : R452a

Ta \ Tc	-5°C	0°C	5°C
25°C	1037 (6,8 m³)	1185 (8,4 m³)	1347 (12,9 m³)
32°C	934 (5,9 m³)	1072 (7,1 m³)	1218 (11,3 m³)
43°C	783 (4,4 m³)	901 (5,3 m³)	1018 (8,1 m³)

Values referred to :

- Suction gas : +20°C
- Subcooling : 0K
- Superheat : 100%
- Compressor absorption :
 - Te -5°C (HBP); Tcond +50°C
 - Te -10°C (MBP); Tcond +50°C
 - Te -30°C (LBP); Tcond +50°C